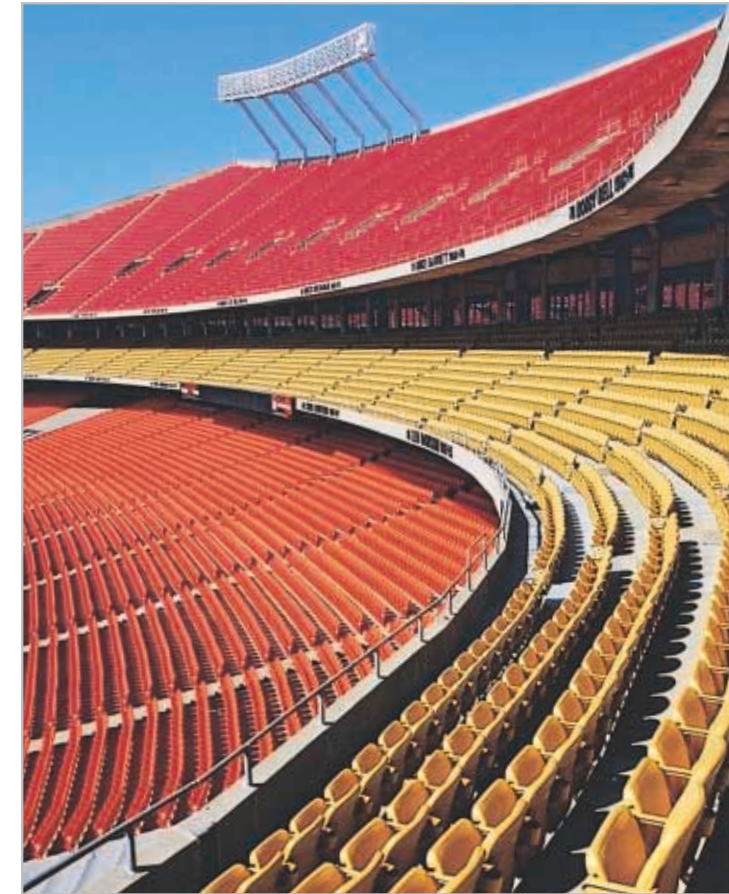




Founded in 1835,

Hussey Seating Company is a world leader in developing and manufacturing seating solutions. Hussey's full line of top quality spectator seating includes fixed molded and upholstered chairs, telescopic platforms and telescopic gym seats for the stadium, arena and education markets. Today, Hussey products can be found in more than 75 countries.



sports & entertainment



Your partner for seating solutions™

Hussey Seating Company 38 Dyer Street Extension, North Berwick, Maine 03906 USA
+1.207.676.2271 | 800.341.0401 (USA) | fax: +1.207.676.2222 | info@husseyseating.com
www.husseyseating.com

© 2003 Hussey Seating Company. All rights reserved.



Your partner for seating solutions™



The Legend at Oklahoma City's Bricktown Ballpark



The Medallion at Boston University Track and Tennis Center



The Olympiad at Boston's Tweeter Center Amphitheater

The Crowd Goes Wild for Hussey!

Hussey Seating Company is the unrivaled champion for flexible spectator seating solutions. For over 30 years our sturdy molded chairs have been seating the world, from Foxboro's luxurious Gillette Stadium to the National Stadium in Riyadh, Saudi Arabia...from "neo-classic" ballparks like Coors Field in Denver to amphitheatres and collegiate and high school facilities—wherever audiences need to take a seat and watch the action.

Long-lasting quality.

Hussey offers the broadest and most reliable line of fixed chairs in the industry today. Our famous Legend, Medallion and Olympiad chairs have the proven strength, durability and easy-cleaning convenience to withstand even the most raucous crowd, nature's harshest weather and the messiest concession foods, year after year after year. With our own state-of-the-art molding facility, we're able to maintain strict quality controls. And all our chairs are built with solid cast iron standards to withstand the excitement whenever the crowd goes wild.

- Outdoor chairs are manufactured with blow molded polyethylene impregnated with ultraviolet light-stabilizing additives, pigmented to match any of 14 Standard, 8 Select or your custom color preference.
- Class 25 gray cast iron standards are coated with an electrostatic primer and powder-coated top coat; average coating thickness exceeds 4.0 mil.
- Rigorous structural and ultraviolet testing performed by independent testing laboratories.

Classic comfort.

Ergonomically designed to support patrons where they need it most, Hussey chairs feature compound contours in the seat and back for outstanding comfort. Add extra comfort options like padded seats and fans will want to return time and again.

Legend



Medallion



Olympiad



Designed to Perform

Spectator Safety

- Automatic three-quarter fold seat return makes it easy to sit down even if your hands are full; while vertical it permits unrestricted emergency passage
- Built-in handrail on top of seat back
- Concealed downstop and springs, plus generous clearances between surfaces, reduce pinch points
- Back extends below the seat to eliminate interference from a spectator in the row behind

Rugged Durability

- Solid cast iron standards provide classic looks; E-coat Primer provides superior paint adhesion
- Plated steel and stainless steel hardware
- Spring and pivot mechanism completely concealed from weather and vandalism
- Two reliable dual-function springs per chair assure consistent operation
- Double wall, high density polyethylene seat bottom and back withstands time and continued use (UV treated for outdoor installations)

Easy to Maintain

- Cast iron standards suitable for high pressure cleaning
- All surfaces are self-draining
- Steel pivot "oil-lite" bearing never requires lubrication
- Vandalized parts are quickly and easily replaceable using basic tools

eVO inside

Hussey introduces the spectator seating design evolution...turned revolution. See inside back cover for complete details.



Meeting Mile-High Challenges

The spectacular Invesco Field at Mile High, home of the Denver Broncos, presented a number of heady challenges for Hussey engineers charged with designing the seating for this state-of-the-art facility.

The stadium was designed to replicate several features of Denver's old Mile High Stadium, including matching the old stadium's exact seat count of 76,125! The architects also specified steel decks for the seating risers in lieu of the more typical concrete, in order to recreate the deafening roar of 76,000+ Broncos fans stomping their feet, a sound that defined the old Mile High.

Meeting each of these challenges head on, Hussey completed the project on a fast track schedule, utilizing 100% Minority Business Enterprise (MBE) involvement for the installation phase. Hussey partnered with an experienced MBE installer to help train a local MBE firm on a mentoring basis. This is an approach we have implemented successfully on numerous major installations around the country.

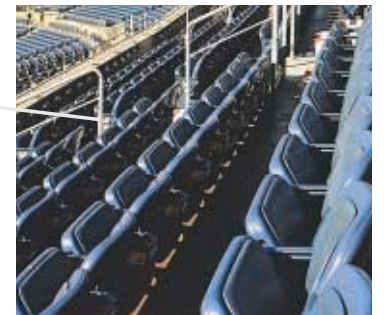
Construction Managers: Turner/Empire/Alvarado
Architect: HNTB



In the north end zone upper level, we were challenged to create an enormous horse head logo made of Hussey seats. The amazing results span three seating sections and incorporate three different seat colors and four sizes of chairs. At the stadium's inaugural game, fans in these seats were given colored t-shirts matching their seat, so the 105' wide by 55' tall logo could be seen even with spectators in the seats.



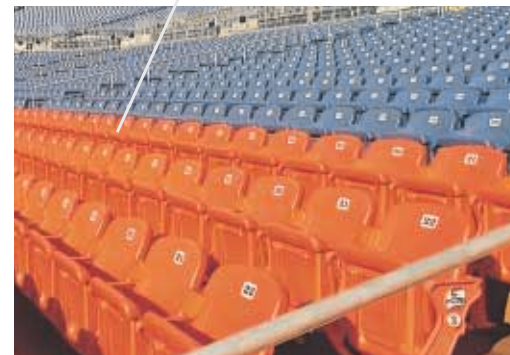
All end stanchions feature custom stadium logos.



Approximately 10,000 padded Medallion seats and backs were used throughout the Club Level.



Chairs mounted on steel decks enable foot-stomping Broncos fans to create an exciting roar of enthusiasm.



Hussey worked closely with the team owner to produce custom chair colors throughout the stadium.

Ladies and Gentlemen...The Legend

Classic ballpark seating gets a new lease on life with the Hussey Legend. Designed for comfort, durability and value, the nostalgic look of the Legend is equally at home in ballparks, sports stadiums and arenas, as well as high schools, colleges and beyond.

Made of advanced materials for superior strength and easy maintenance, the Legend features a durable, blow-molded slatted back with an implied slatted seat. It is also available with padded or upholstered seats, and includes detailed cast iron standards that can be customized for your facility with an integral cast logo.



Safeco Field, Seattle, WA
Construction Managers: Hunt Construction
Architect: HNTB



Not just for baseball
700 green Legends add a touch of class to the new Hagerstown Community College amphitheatre in Hagerstown, MD



A Hussey home run
Installation of The Legend at Kauffman Stadium, home field of the Kansas City Royals, was part of the largest spectator seating replacement contract ever offered in North America.

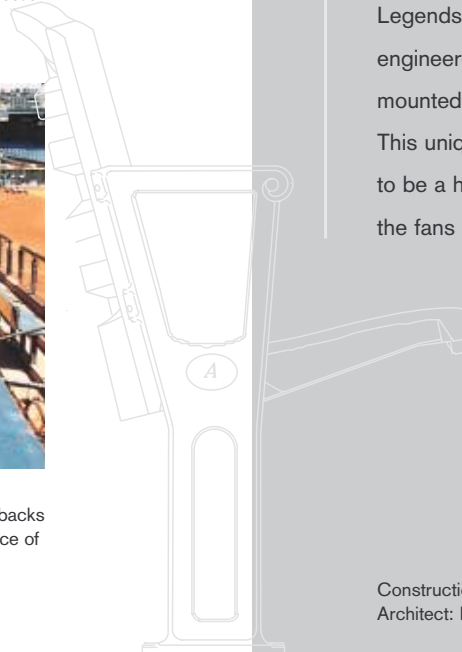


Seating Arizona
Fans of the 2001 World Series Champion Arizona Diamondbacks enjoy every home game in the comfort and nostalgic ambiance of Hussey's Legend chairs.

Bringing the Legend Indoors



Beyond the ballpark, the Legend can be a versatile choice in many different seating applications. At the Conseco Field House arena in Indianapolis, Legend chairs were used exclusively to maintain a consistent look throughout the facility. Hussey provided a combination of all-plastic Legends, padded Legends and custom-engineered fold-down Legend chairs mounted on Hussey telescopic platforms. This unique indoor installation has proven to be a hit with the owner, the architect and the fans alike!



Construction Managers: Hunt Construction
Architect: Ellerbe Beckett

American Airlines Arena, Miami, FL
 Construction Managers: Morse Diesel/Odebreche
 Architect: Arquitectonica



The best bet for multi-purpose use
 At the Mohegan Sun Casino in Uncasville, CT, Medallion seating accommodates guests at the complex's spectacular sports and entertainment arena.



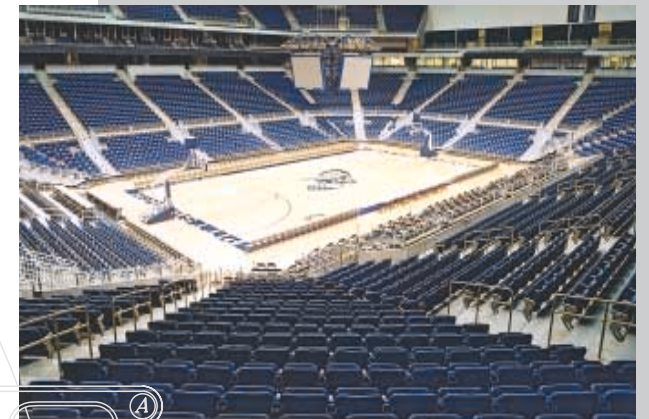
Championship seating
 Hussey is proud to provide seating for the facilities of countless major league championship teams, including Gillette Stadium, home of the New England Patriots, Super Bowl XXXVI winners.



Not just for sports
 In Tacoma, WA, the Covenant Church chose Medallion chairs rather than traditional church seating for its congregation.

Pittsburgh Fans Prefer the Petersen Center

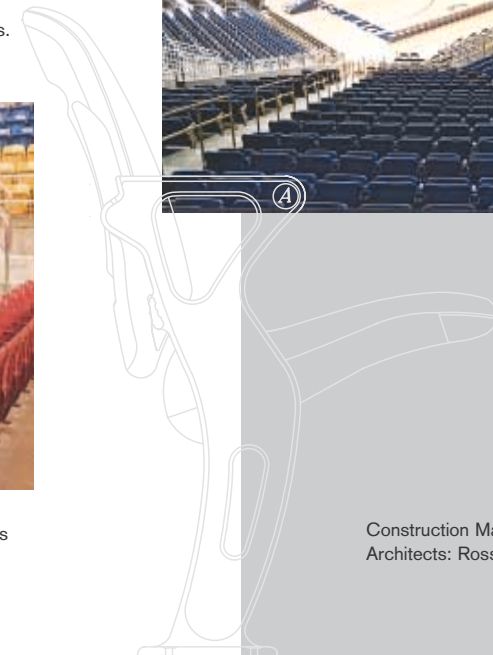
An ongoing close relationship between Hussey and the University of Pittsburgh has borne fruit in the University's newest accomplishment. In November of 2002, the school's Petersen Events Center opened, a state-of-the-art facility that rivals any in the Big East Conference. The facility chose blue Medallions for 11,000 of the arena's 12,500 Hussey seats, and tasked us with creating a custom gold stanchion that would perfectly match school colors. With not a bad seat in the house, Panther fans now enjoy their teams like never before.



Medallion...Tackles Every Challenge

From major sports installations to all kinds of smaller venues, the Hussey Medallion is the number one choice for timeless, great-looking spectator seating that can really stand up to the crowd. Comfortable and stylish, the Medallion's ergonomic design features complex molded curves that cushion and support spectators for hours. The Medallion is also available with foam and fabric padded seats, combining the look and feel of an auditorium chair with the practicality and durability of a stadium chair.

The Medallion is easy to clean, easy to maintain and made to last. Includes solid cast iron standards, and can be customized for your facility with an integral cast logo.



Construction Managers: Pitt Center Partners
 Architects: Rosser/Apostolou

Make Any Venue World Class...Olympiad



Designed for maximized comfort and long-lasting durability indoors or out, Hussey's Olympiad chairs are perfectly suited for facilities where versatility is key, whether you're hosting a concert, a convention or an Olympic-sized event!

The Olympiad features durable cast iron standards with optional integral cast logo customized for your facility. Our all-molded version is well suited to high pressure cleaning; padded and upholstered versions combine extra comfort and distinctive looks with the practicality of an all-plastic shell.



Raymond James Stadium, Tampa, FL – home of the Super Bowl XXXVII champion Tampa Bay Buccaneers.
Construction Managers: Hunt Construction



Versatile and practical seating

When the Franklin High School theater department in Reisterstown, MD decided it was time to replace their old splintering wood seats, they turned to Hussey for durable blue Olympiads.



College ball never looked better

Fans of the University of Maryland Terrapins, 2002 NCAA Men's Basketball Champions, now enjoy a new arena featuring distinctive Olympiad seating (with integral logo).



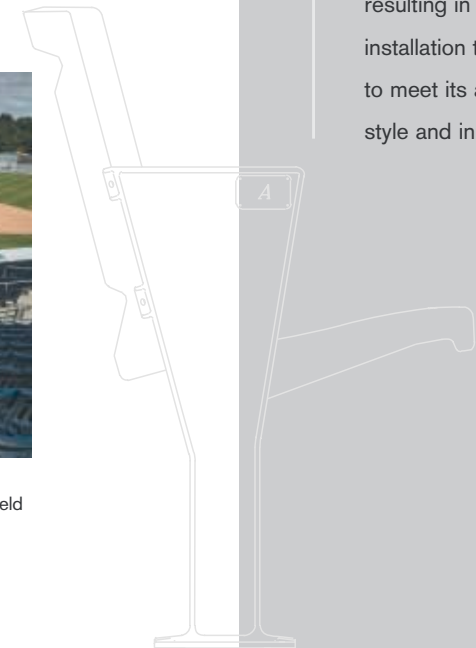
Major style for minor leagues

The Portland Sea Dogs chose the Olympiad at its Hadlock Field facility for the chair's upscale looks, simple maintenance and long-lasting durability.

Innovative Money-Saving Solutions



At the University of Maine, Hussey's challenge was to attach our Olympiad chairs to an economical aluminum deck substructure, providing "VIP" seating that blended seamlessly with the surrounding bench seating. Our custom engineered solution determined the best and most cost-effective attachment method, resulting in a high quality, long lasting installation that has allowed the facility to meet its ambitious goals with style and innovation.



Olympiad

Innovative options, accessories and special needs features put us in a league all our own

With Hussey Seating, you have the flexibility to customize a unique solution for any venue...including innovative features to help your facility stay compliant with all ADA, state and local regulations regarding special needs access.

ADA Solutions



Flip-up and Armless Chairs
Solutions for semi-ambulatory spectators who need to easily slip into a regular seat. Flip-up arm allows access into end-row chairs, can be easily flipped down for a full armrest once patron is seated. Both can be used for standard seating when maximum capacity is required.



Skid-Mounted and Companion Chairs
Seats are mounted on skids for standard seating, and the entire assembly can be unbolted and removed at a moment's notice to accommodate wheelchair patrons. Adjacent chairs remain available for a companion. Sections are available in 2-chair (approximately 46"/1168 mm) or 3-chair (approximately 66"/1676 mm) widths to fit one or two wheelchairs.



In-Fill Decks
To help you meet ADA code, the top two rows of chairs below the cross-aisle or concourse are removable, and can be in-filled with an aluminum platform at the same elevation as the cross-aisle. Wheelchair patrons can wheel across the concourse and directly onto the platform. When not needed, this flexible option allows you to replace the two rows of fixed chairs, maximizing your facility's revenue potential.



Swing-A-Way
Available with the Legend and Olympiad, this option lets you swing the folded chair to the side to accommodate a wheelchair when required.

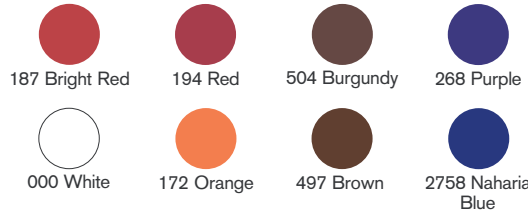


Roll-A-Way
Made from floor mount stanchions mounted to a steel base with tubular supports. Four swivel casters are mounted on hinged plates to either fold underneath for easy mobility or fold up out of the way when secured to the floor. Available in 2-chair (approx. 46"/1168 mm) or 3-chair (approx. 66"/1676 mm) widths to accommodate one or two wheelchairs. Adjacent companion chairs can be permanently installed.

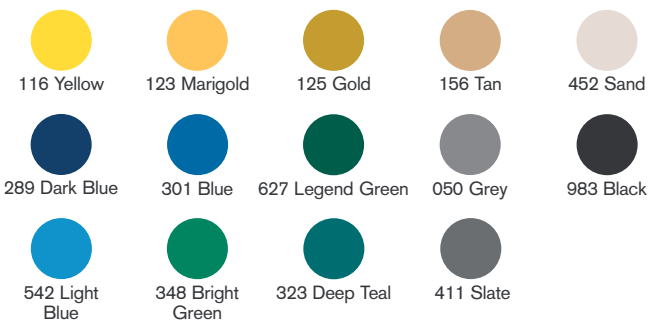
Colors

14 Standard and 8 Select colors available for all chairs. Custom colors available on request. Note: Production molded parts and paint colors will vary from printed samples shown. Please request a production sample or color chip when selecting actual color.

Select Colors



Standard Colors



Options & Accessories



Integral Logo
Your team or facility's logo can be integrated into each chair's cast iron end stanchion.



Padded Backs
For extra comfort, soft padded backs on our Olympiad and Medallion chairs are a popular option.



Redirected Seating
Seats can be angled 12 degrees towards home plate, reducing neck strain. (Legend only).



Padded Seats
Foam and fabric pads add style and comfort to any of our plastic chairs.



Expansion Joints
Various plates available for differing attachment methods to accommodate expansion joints in seating bowl.



Cup Holders
Attached to chair arms for spill-proof convenience. Multiple styles and configurations available, including back-attached (bolt-on or clamp-on), wall-attached and rail-attached.



Upholstered Seats
Add cushioned comfort in protected seating areas with a fully upholstered seat, yet maintain the practicality of a rugged blow-molded plastic back. Or combine with a padded back for even more comfort!



Upholstery
An unlimited range of colors and fabrics are available. Ask your Hussey representative for sample swatches and further details.



Aisle Lights
No more stumbling in the dark to find a seat with these bright yet unobtrusive lights.

Solutions

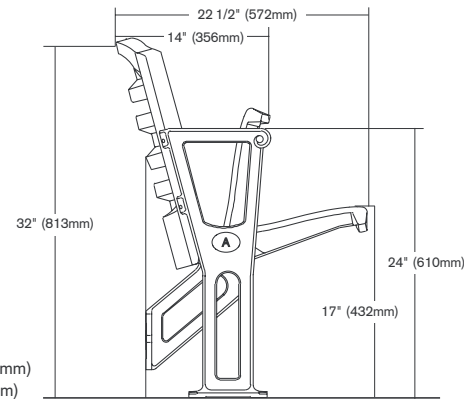
Our Legend, Medallion and Olympiad chairs come in a variety of configurations to meet every need. Using the options on the previous page and the drawings and information listed here, your facility can choose any combination of these chairs to develop a custom Hussey Seating Solution.



Legend

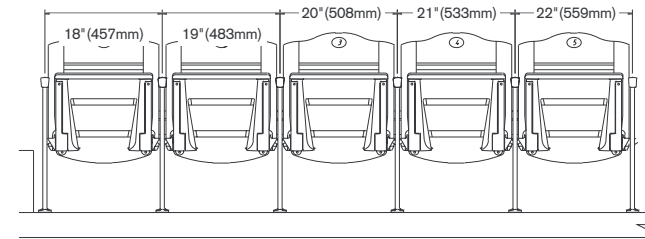


Stanchion Mounting Options



Riser Mount:
Max. 22" (559 mm)
Min. 6" (152 mm)

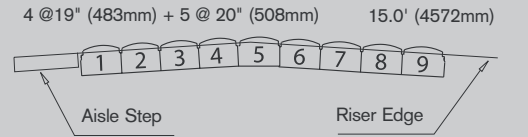
Seat Width Options



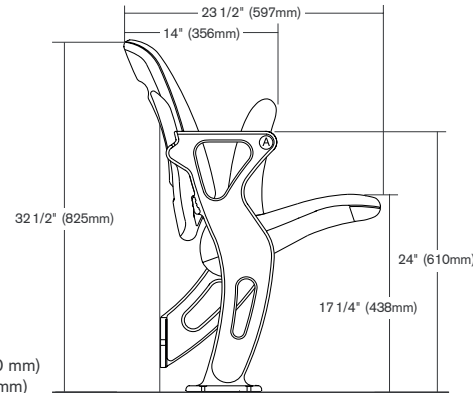
Calculating Row Length

These examples illustrate how to maximize the number of seats and calculate spacing for your custom design solution.

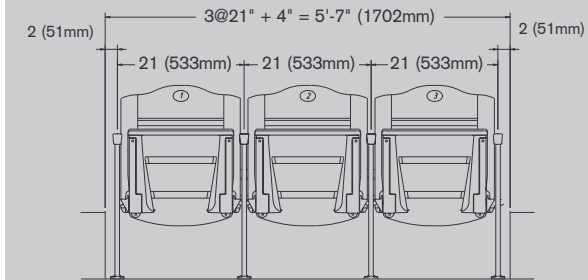
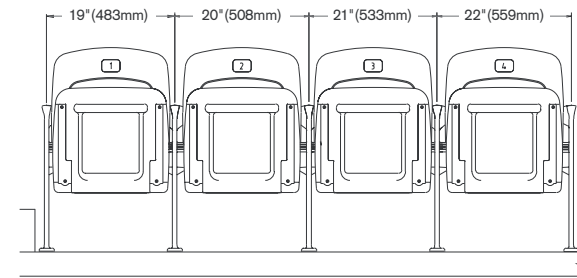
- End spacing is 2" (51mm) per aisle end for a total of 4" (102mm) per continuous row.
- Note that many row lengths have varying chair size combinations not shown in these examples.



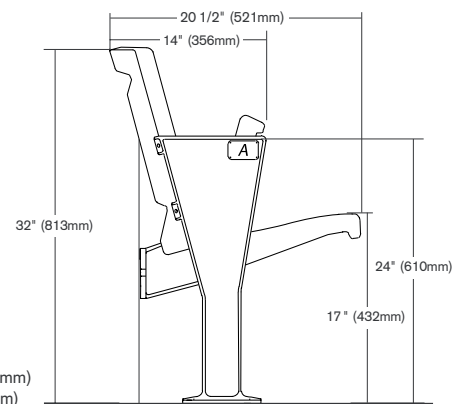
Medallion



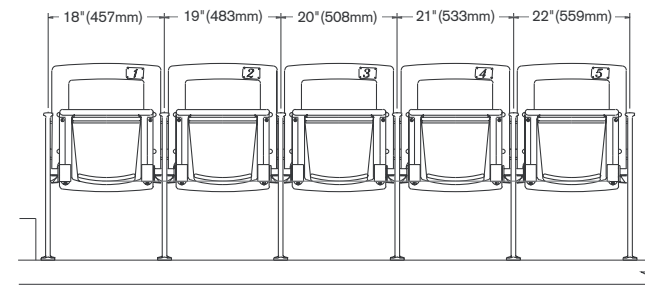
Riser Mount:
Max. 24" (610 mm)
Min. 7" (179 mm)



Olympiad



Riser Mount:
Max. 22" (559 mm)
Min. 6" (152 mm)



Riser mounts available in Low Rise, Mid Rise and High Rise configurations (Low Rise and High Rise only with Olympiad).

General Notes:

- All Pre-Cast or Poured-in-Place concrete treads must be a min. 4" (102mm) thick with the top 2" (51mm) clear of rebar.
- All Pre-Cast or Poured-in-Place concrete risers must be a min. 4 1/2" (114mm) thick. Proper anchorage will require the first 2 1/2" (64mm) to be free and clear of rebar or any other obstruction.
- All normal concrete must have a min. strength of 3000 psi for proper anchor attachment.
- All light weight concrete must have a min. strength of 5000 psi for proper anchor attachment.
- All steel risers must be a min. 1/4" – 3/8" (6-10mm) thick Grade A-36 steel.
- All wood floors must be a solid min. 1 1/2" (38mm) thick.

evo inside
Open here for the spectator seating design evolution...
turned revolution.